

TOTO

Washlet®+Toilet



Toilet:

CW982E1BT305/SW986EBT305

CW982E1BT400/SW986EBT400

Washlet:

TCF6724HC

FEATURES

4.8L flushing system, low consumption.

- Beautiful and clean hidden design for Washlet power and water pipes.
- Premist technique applied, prevents dirt attached.
- Ewater+ technology keeps nozzle always clean.

Toilet Technique:



Cefiontect



Tornado Flushing



Reduce The Water



Rimless

Washlet Technique:



Ewater+ For Wand



Premist



Heated Seat



Warm Air Drying



Deodorizer

SPECIFICS

Size: 700x508.5x764mm

Nominal water consumption: 4.8L

Water efficiency grade: Grade3

Toilet Water Efficiency

Grade: Grade2

Drainage mode:

Underneath Drainage

Flush type:

New Tornado Flush

Rough-in: 305/400mm

Water Inlet Requirement:

0.05MPa(Dynamic Pressure)

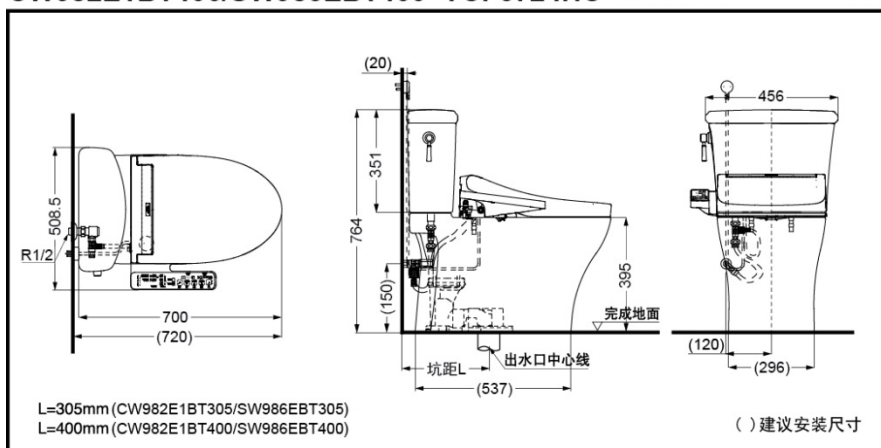
~0.75MPa(Static Pressure)

Power Source: 220V(50Hz)

Power: 310W

Control: Remote Control

CW982E1BT305/SW986EBT305
CW982E1BT400/SW986EBT400+TCF6724HC Washlet®+Toilet



TOTO(CHINA) CO.,LTD. All rights reserved.

TOTO(CHINA) CO.,LTD. www.toto.com.cn