

TOTO

Marble Countertop Handrail

T112CP5S V4NW



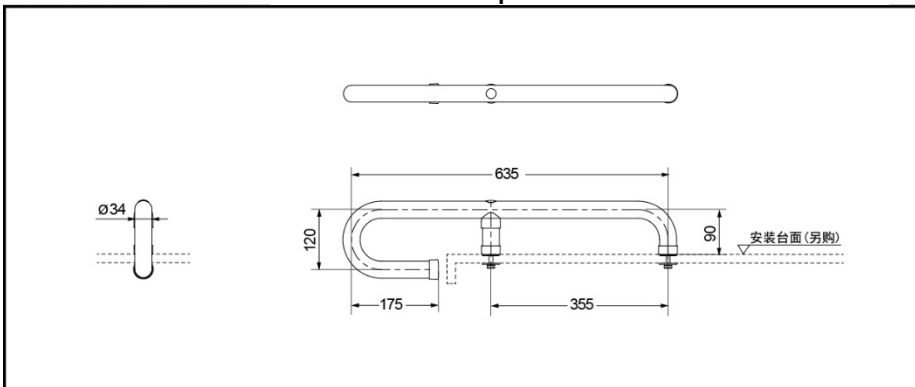
FEATURES

- Multi-use handrails can be easily used by physical challenged people in public.
- Exquisite appearance.
- Durable anti-fouling white resin pipe.
- Easy to install and use.

SPECIFICS

Size: 635x120x34mm

T112CP5S V4NW Marble Countertop Handrail



*TOTO(CHINA) CO.,LTD. All rights reserved.